

# Clarke

INTERNATIONAL

This is an important document, and should be retained.



## DECLARATION OF CONFORMITY

We declare that this product complies to the following standards/directives:


- 98/37/EC
- 2000/14/EC ANNEX VI PROCEDURE 1

Notified Body: A.V. Technology Ltd,  
Cheadle Heath, Stockport, SK3 0XX

Model No:	Rated Output:	Measured Sound Power Level:	Guaranteed Sound Power Level:
<input type="checkbox"/> CP5050	5.0kVA	96.0dB <sub>LWA</sub>	96.0dB <sub>LWA</sub>
<input type="checkbox"/> CP5050LR	5.0kVA	96.0dB <sub>LWA</sub>	96.0dB <sub>LWA</sub>
<input type="checkbox"/> CP5050ESLR	5.0kVA	96.0dB <sub>LWA</sub>	96.0dB <sub>LWA</sub>

Product Description: Generator

Serial No:

Signed   
L.E. FERGUSSON  
Engineering Manager

**Clarke** INTERNATIONAL  
Hemnal Street, Epping, Essex CM16 4LG

Clarke International is a trading style of Clarke International Limited

# Clarke

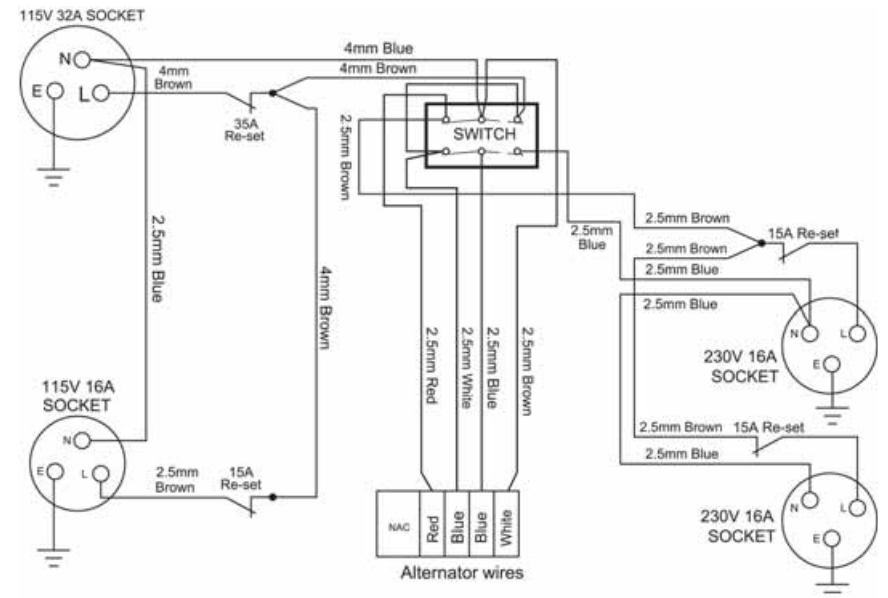
# POWER

## TECHNICAL INFORMATION

0606

MODEL Nos:  
CP5050 • CP5050LR • CP5050ESLR

### Schematic Wiring Diagram



## Specifications

Model No Part No	CP5050 8857630	CP5050LR 8857635	CP5050ESLR 8857640
Dimensions mm (LxWxH)	690x480x540	710x510x600	710x510x600
Gross Weight	59kg	64kg	69kg
Sound Power level	••	••	••
<b>HONDA Engine</b>			
Model	GX270	GX270	GX270
Displacement	270CC	270cc	270cc
Power Rating	9.0HP	9.0HP	9.0HP
Fuel Capacity	6.0Litres	15.5Litres	15.5Litres
Fuel Consumption	1.63 L/h	1.63 L/h	1.63 L/h
Running Time (Full Tank)	3.7h	9.5h	9.5h
Air Filter Type	Dry	Dry	Dry
Fuel	Unleaded	Unleaded	Unleaded
Oil Capacity	1.1Litres	1.1Litres	1.1Litres
Oil Type	10W-30	10W-30	10W-30
Spark Plug Type	BPR6ES	BPR6ES	BPR6ES
<b>Alternator</b>			
Type	NAC4500	NAC4500	NAC4500
Rated Power	5.0kVA	5.0kVA	5.0kVA
AC Rated Frequency	50 Hz 1ph	50 Hz 1ph	50 Hz 1ph
Earthing	Floating	Floating	Floating

•• See Declaration of Conformity on Back Page

## Spare Parts

Description:	Part No:
FRAME FR33/NAC: (CP5050) .....	SH0211006
FRAME FR33/NAC: (CP5050LR) .....	SH0211008
FRAME FR33 W/A E/S BAT BOX: (CP5050ESLR) .....	SH0211009
ALTERNATOR NAC3900 BC-A0/T 5 WIRE: (ALL) .....	SH0130084
ALTERNATOR & ENGINE MOUNT: (ALL) .....	SH0270027
RESET BUTTON 16 AMP: (ALL) .....	SH0360049
RESET BUTTON 35 AMP: (ALL) .....	SH0360053
CONTROL BOX 5 SKT 4x16 1x32A: (ALL) .....	SH0491000
CONTROL BOX 5 SKT SHELL: (ALL) .....	SH0090192
MOUNTING SET C/BOX: (CP5050/CP5050ESLR) .....	SH0130106
COLLAR: (ALL) .....	SH0130063
GROMMET: (ALL) .....	SH0130070
DUST COVER IP23 RESET BUTTON: (ALL) .....	SH0360056
SWITCH TOGGLE VOLTAGE SELECTOR: (ALL) .....	SH0430001
SWITCH TOGGLE IP23 COVER: (ALL) .....	SH0430014
SOCKET 115V 16A: (ALL) .....	SH0440001
SOCKET 230V 16A: (ALL) .....	SH0440002
SOCKET 115V 32A: (ALL) .....	SH0440003
ALTERNATOR END COVER: (ALL) .....	SH0130067
DIODE PCB ASS: (ALL) .....	SH0130073
CAPACITOR 22uF: (ALL) .....	SH0370015
FUEL TANK STEEL 15.5 LITRES: (CP5050LR/CP5050ESLR) .....	SH0210092
FUEL TAP INLINE: (CP5050LR/CP5050ESLR) .....	SH0480002
FUEL FILTER SMALL-IN-LINE: (CP5050LR/CP5050ESLR) .....	SH0480003
FILLER NECK: (CP5050LR/CP5050ESLR) .....	SH0480005
FILLER CAP: (CP5050LR/CP5050ESLR) .....	SH0480006
BATTERY BOX: (CP5050ESLR) .....	SH0210093
BATTERY BOX LID: (CP5050ESLR) .....	SH0210094
BATTERY YB16CL-B19A/H: (CP5050ESLR) .....	SH0540001

For Spare Parts and Service, please contact your nearest dealer, or CLARKE International, on one of the following numbers.

PARTS & SERVICE TEL: 020 8988 7400

PARTS & SERVICE FAX: 020 8558 3622

or e-mail as follows:

PARTS: [Parts@clarkeinternational.com](mailto:Parts@clarkeinternational.com)

SERVICE: [Service@clarkeinternational.com](mailto:Service@clarkeinternational.com)